

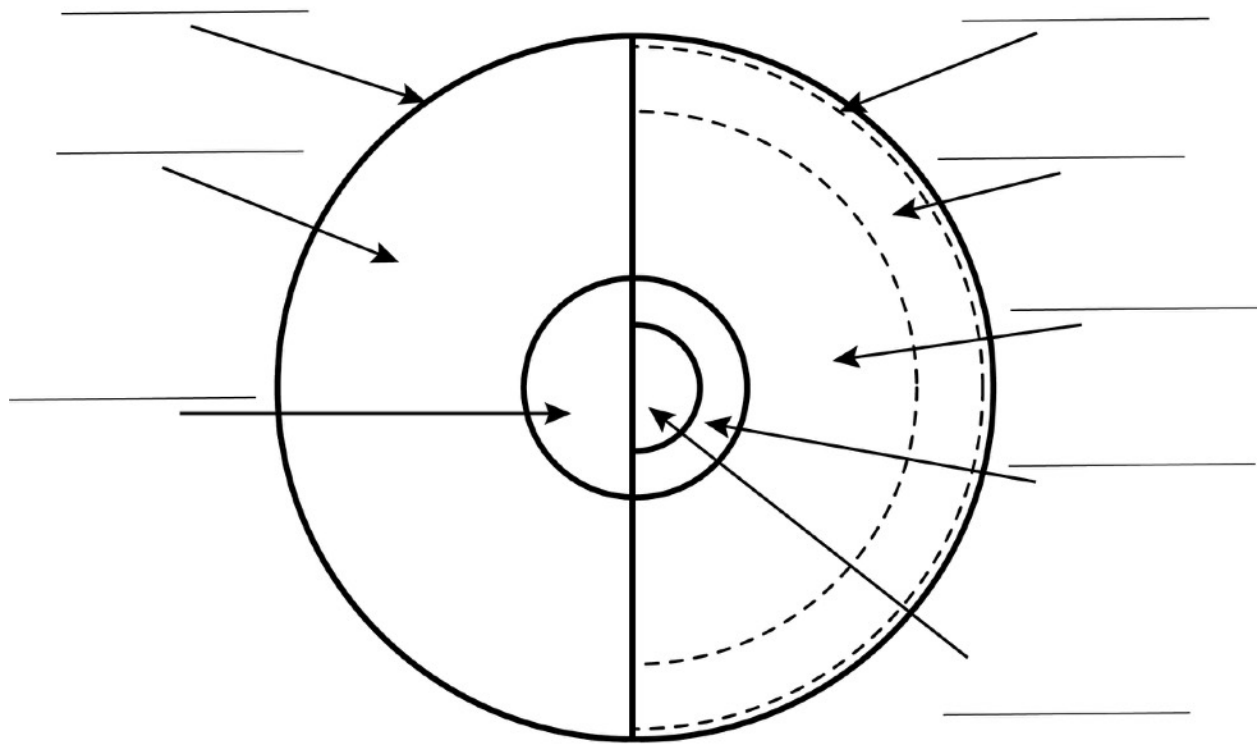
Earth's Interior Layers

Our planet is made up of layers which can be divided due to their chemical composition (what minerals they contain) or their mechanical properties (how they act).

Can you label this diagram using the correct terms (see the list below). Cross them out in the table once you have identified them on the diagram.

CHEMICAL

MECHANICAL



Crust	Inner Core	Core	Mantle
Asthenosphere	Outer Core	Lithosphere	Mesosphere Mantle